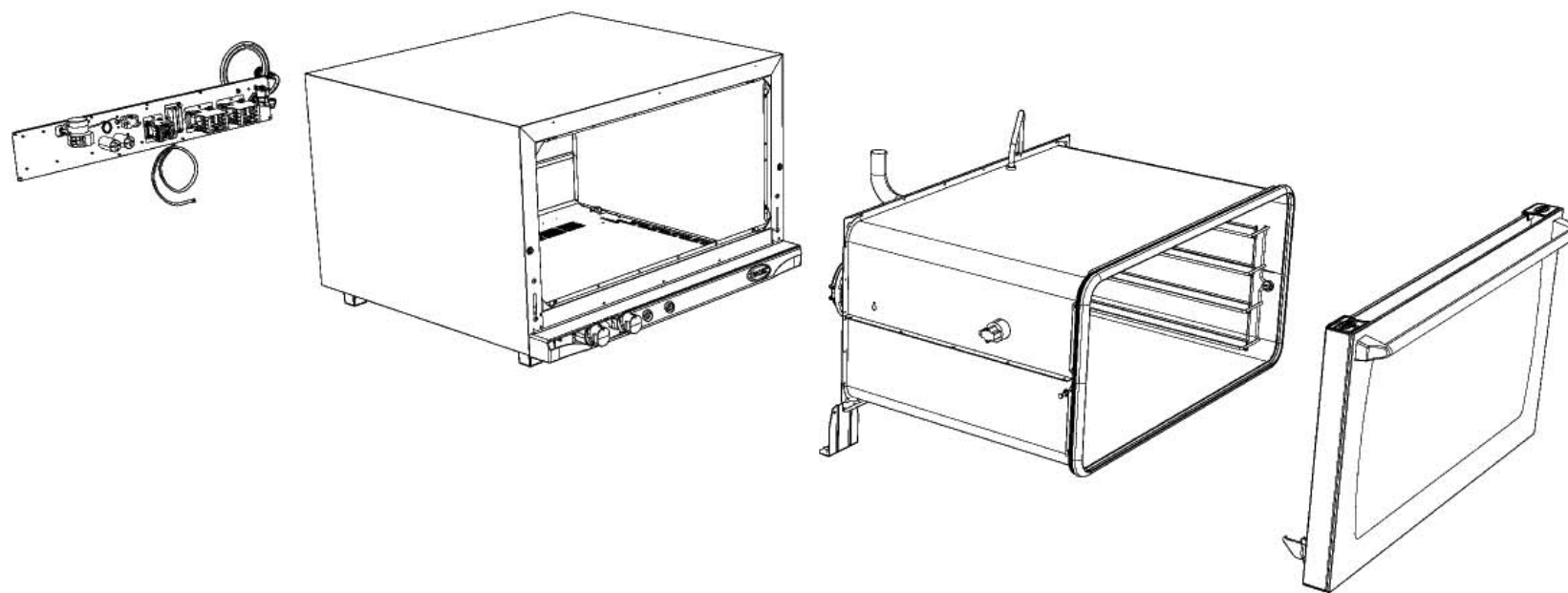
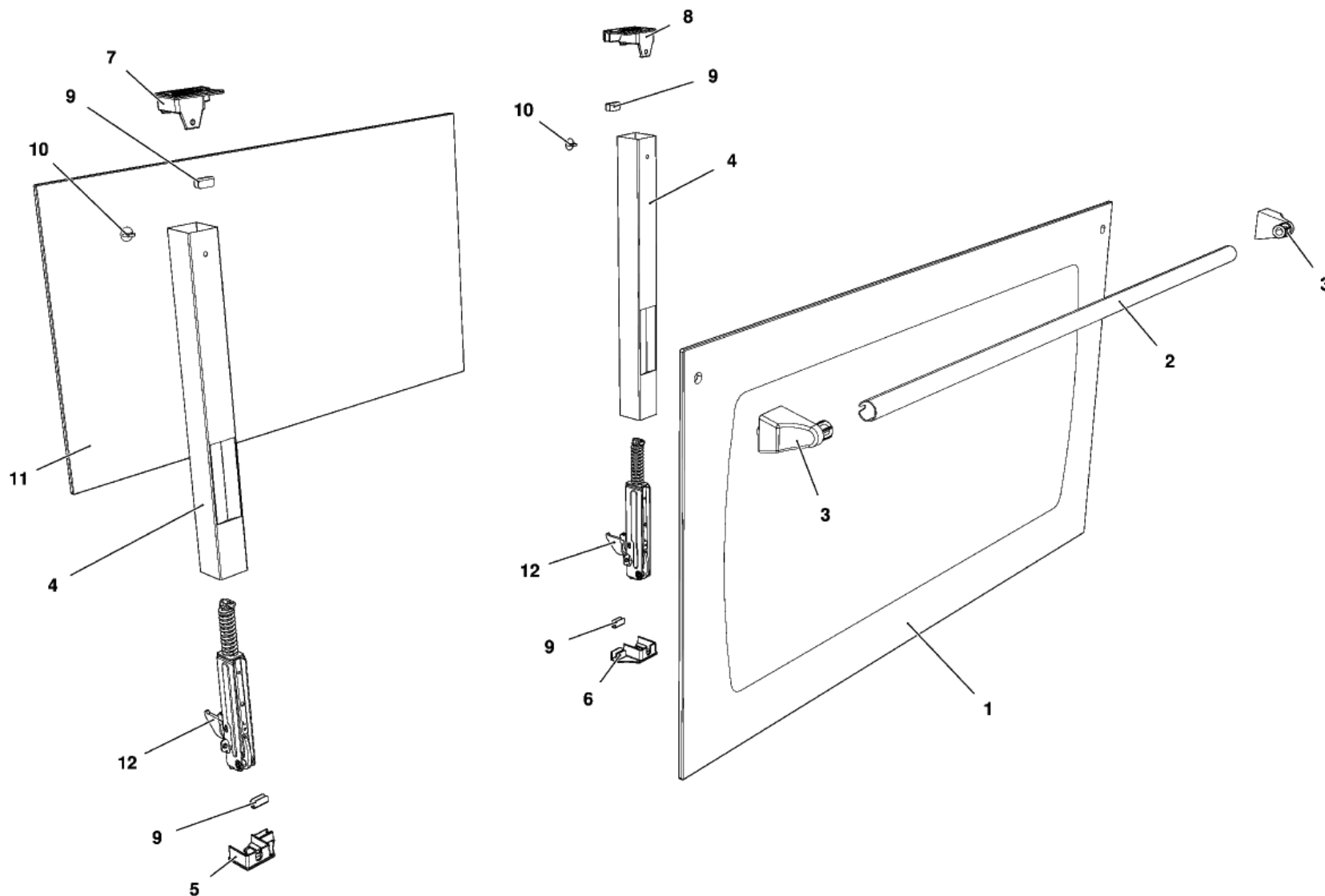


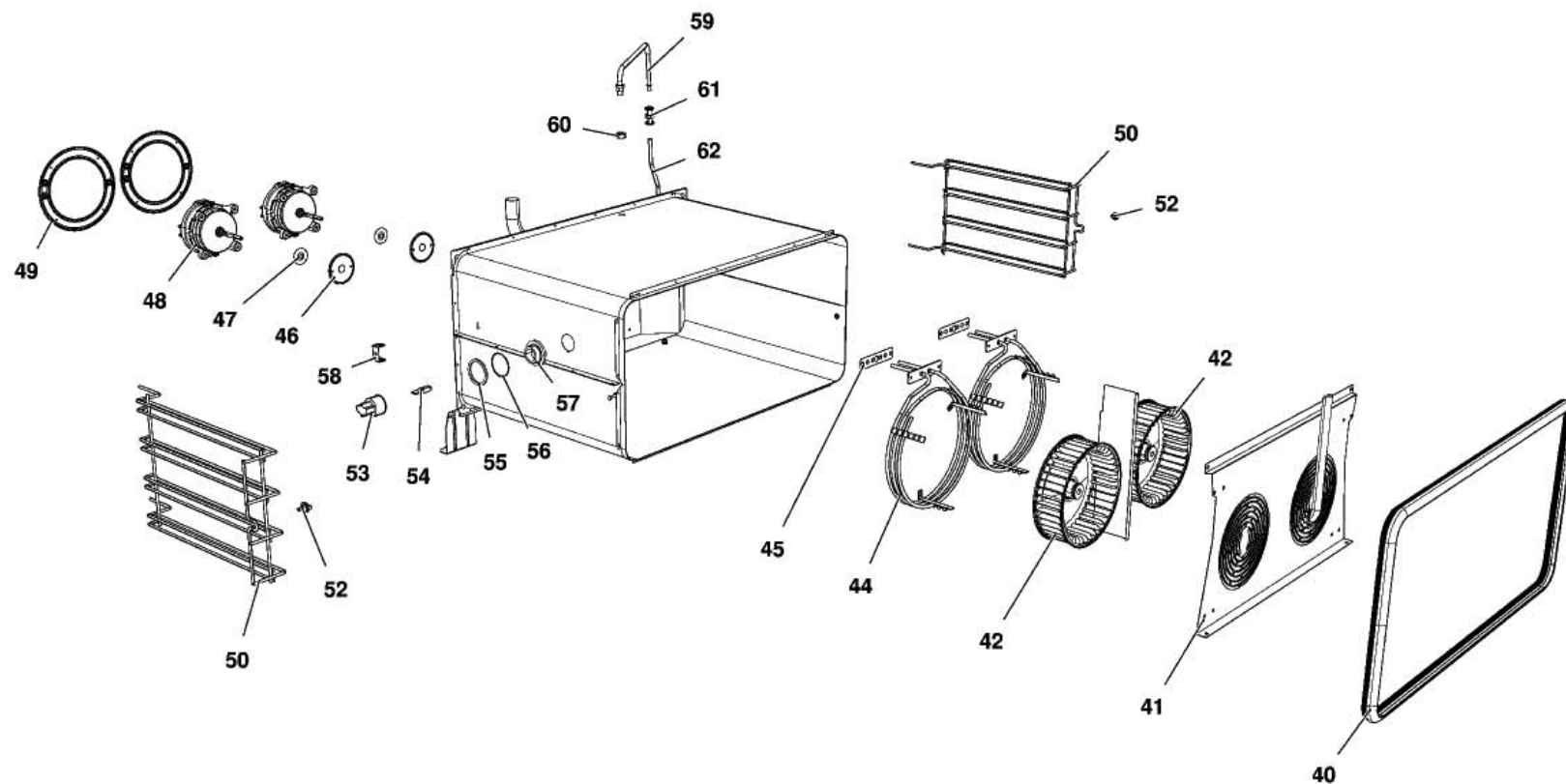
MOD:XFT193



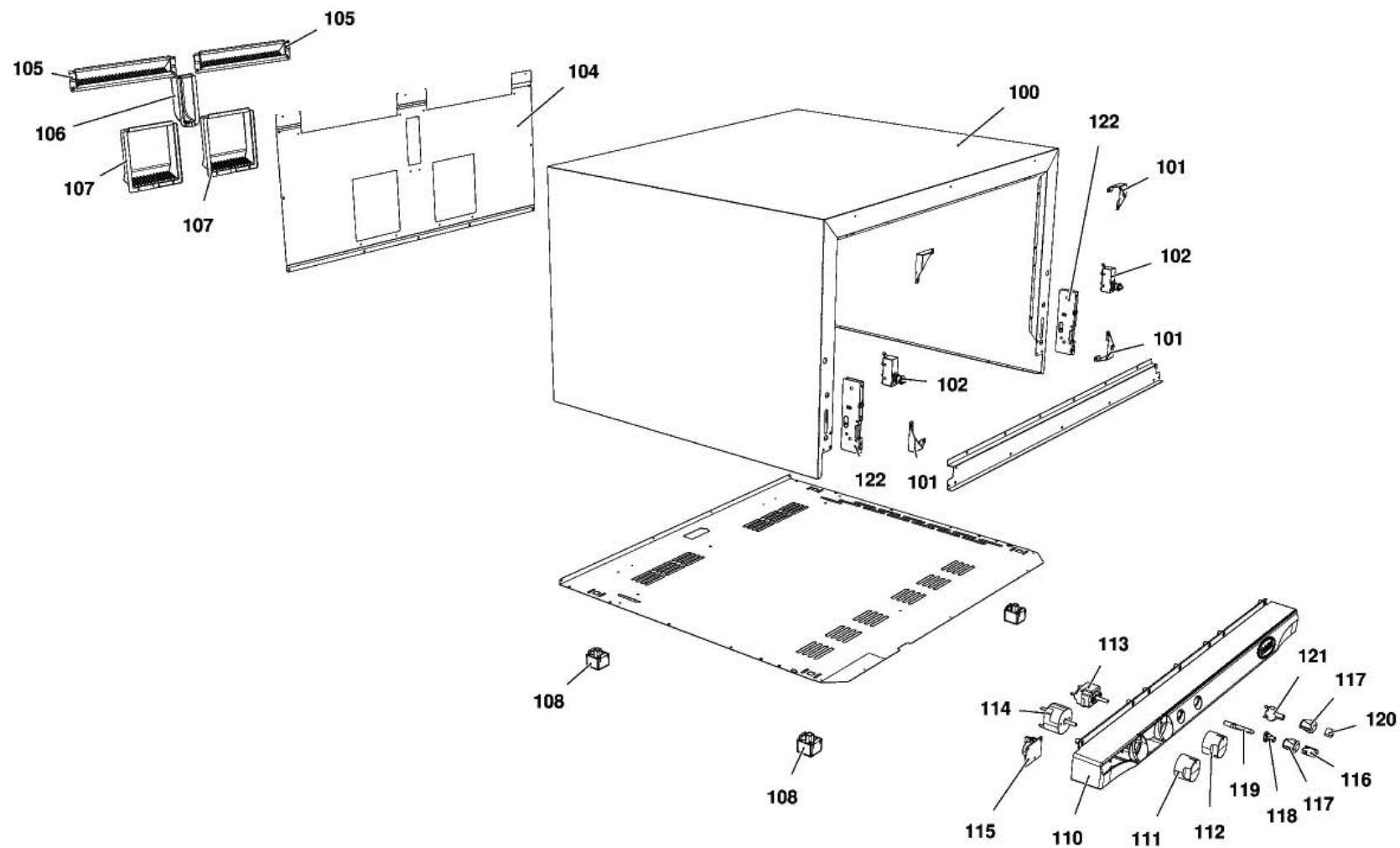
MOD:XFT193



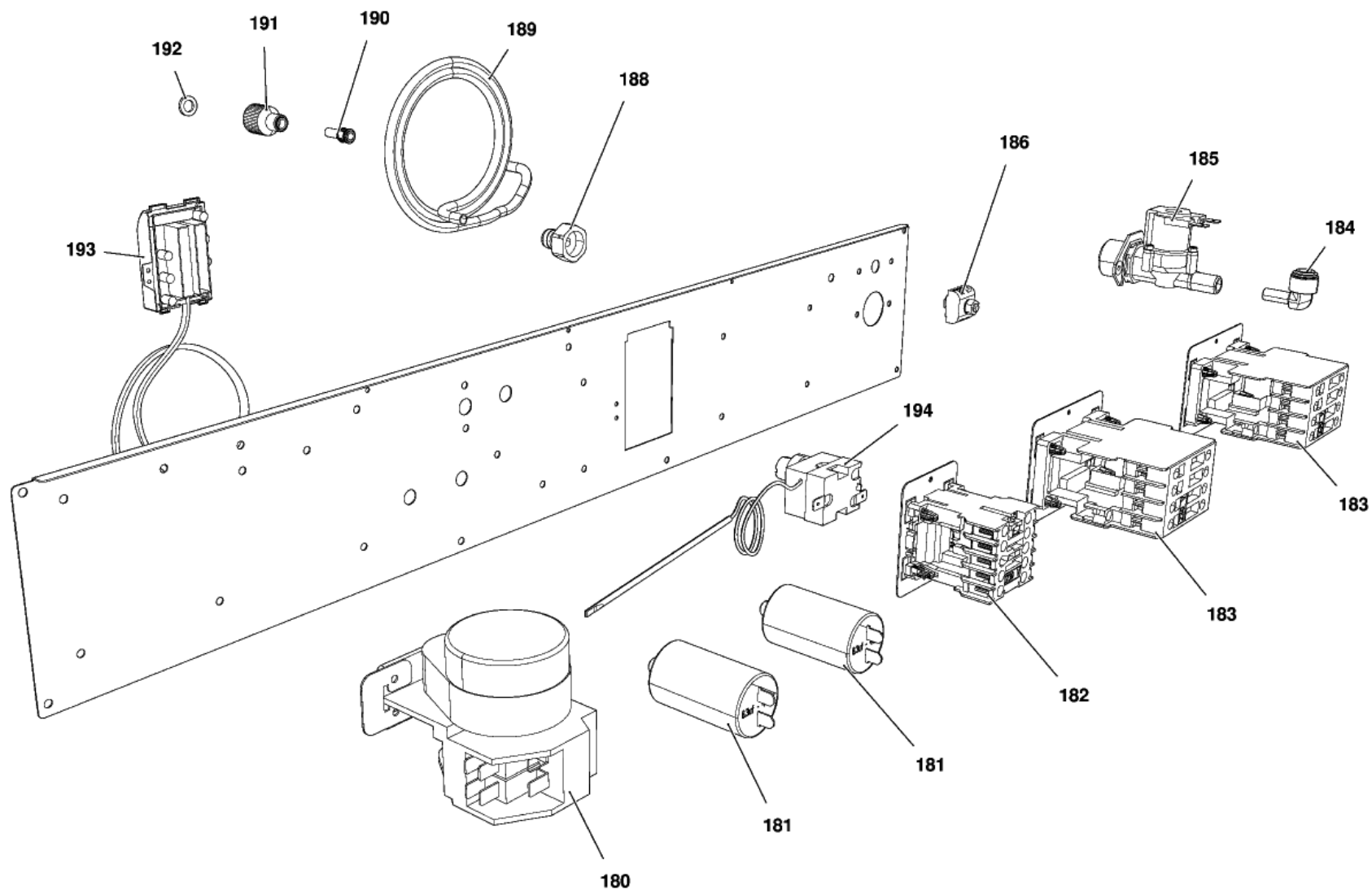
MOD:XFT193



MOD:XFT193



MOD:XFT193



MOD:XFT193



EN

Codes descriptions

1	VT1072A	LINE MISS ROSSELLA BLACK EXTERNAL GLASS
2	OH1930B	HANDLE TUBE L= 718 Ø18X1
3	MG1015B	L.MISS/L.MICRO/CHEFTOP HANDLE TERMINALS
4	OH1425B	L.M. ARIANNA-ROSE LEFT/RIGHT DOOR COLUMN
5	VM1051A	LOWER COVER FOR LEFT COLUMN OF
6	VM1050A	LOWER COVER FOR RIGHT COLUMN OF
7	VM1046B	LEFT UPPER LID FOR COLUMN FOR
8	VM1045B	RIGHT UPPER LID FOR COLUMN FOR
9	GN1265A	INTERNAL GLASS SEAL XVC054/104
10	VM1025A	NYLON LID PA66 V2 GREY Ø16
11	VT1070B	INTERNAL GLASS 715X415X6 BTFL
12	CR1050A	DOOR HINGE XVC104-LM ROSSELLA
40	GN1354A	LINEMISS ROSSELLA DOOR GASKET - GN1110A
41	OG1125C	LINEMISS ROSSELLA FAN GUARD
42	VN1025A	FAN D=196 H=61 38 BLADES STAINLESS
42	VN1025A	FAN D=196 H=61 38 BLADES STAINLESS
44	RS1090A	CIRC.HEAT. ELEMENT D=230 3 TURNS
45	GN1327A	HEATING ELEMENT GASKET 100X22X0.8
46	OH3020A	MOTOR SHAFT SEALING DISC
47	GN1140A	MOLDED MOTOR SUPPORT GASKET
48	VN1130A	330W 230V 50/60HZ MOTOR
49	OH3586A	ZINCATE MOTOR GUARD PLATE XBC-XVC
50	GRL1025A	RIGHT/LEFT LAT.GRID CHROMIUM-PLATED
50	GRL1025A	RIGHT/LEFT LAT.GRID CHROMIUM-PLATED
52	VM1815A	M6 LATERAL SUPPORTS FIXING BOLT
53	VE1015A	LAMP HOLDER SERIE 2 FOR HALOGEN LAMP
54	VE1005A	HALOGEN LAMP 33W ENERGY SAVER
55	GN1065A	SEAL FOR LAMP GLASS COVER (PURE
56	GN1055A	OR 46X2 VMQ 70 RED
57	VT1195A	BOROSILICATE LIGHT BULB GLASS COVER
58	OH4820A	BULB HOLDING BRACKET

59	OH1990A	EXTERNAL WATER PIPE + STAINLESS
60	RC1170A	STAINLESS STEEL NUT M14 H=8 CH=22
61	EL1055A	INTERMEDIATE REDUCTION FROM D=10 TO D=8
62	TB2034A	L.MISS WATER SYSTEM - TB1815A
100	OD1285F	LINEMISS ROSSELLA EXTERNAL CHASING
101	OH1450A	XB-XV-XG ST. STEEL MUFFLE FRONT CORNER
102	VE1295A	DOOR MICROSWITCH MK 16A 230V UL
102	VE1295A	DOOR MICROSWITCH MK 16A 230V UL
104	OF1095C	LINE MISS ROSSELLA BACK PANEL
105	VM1950A	PLASTIC DRIP FLAP
106	VM1951A	IP CHIMNEY COVER
107	VM1952A	IP MOTOR COVER
108	PD1001A	FOOT 35X35 H26 GREY PLASTIC+RUBBER
108	PD1001A	FOOT 35X35 H26 GREY PLASTIC+RUBBER
110	VM2019A	L.MISS MANUAL 60X40 CONTROL BOARD
111	MN1090B	LINEMISS 0-60 MIN TIMER KNOB
112	MN1091B	80-260°C THERMOSTAT KNOB
113	TR1100A	269°C ADJUSTABLE THERMOSTAT 55.19052.80
114	TM1005A	TIMER MI2 60 MIN 250V 16A
115	TM1000C	ELECTRICAL BUZZER 15 SECS 230 V
116	VE1530A	BLUE LIGHT COVER GOLD THERMOMETER
117	VE1170A	OPAQUE NICKEL ELLIPTICAL SUPPORT D16
118	VM1762A	INNER LAMP SUPPORT
119	VE1535A	WHITE LED 230V
120	VM1775A	OPAQUE SILVER KEY WITH GOLD "CLOUD"
121	VE1562A	UNIPOLAR NA PUSH BUTTON
122	CR1000A	HINGE LATCH L.M.
180	VE1555A	REVERS.SWITCH MOTOR P19.5J.02.H6.17
181	VE1110A	CONDENSER 6,3 7F 450VAC 50/60HZ
182	VE1115A	MINI CONTACTOR WITH 4 POLES 20 A 230 V
183	VE1095A	REMOTE CONTROL SWITCH GE 25A 230V

184	EL1195A	ELBOW UNION WITH J.GUEST TERMINAL
185	EL1085A	WATER SINGLE ELECTROVALVE WITH
186	VM1750A	TERMINAL BOARD
188	RC1030A	STRAIGHT JOINT D=8-3/4 FEMALE JOHN
189	TB1079A	L.MISS D8 WATER PIPE
190	RC1002A	10M-8F J.G. TERMINAL REDUCTION FITTING
191	RC1365A	3/4"-10 JG FEMALE CONNECTION
192	GN1200A	3/4 CONNECTION SEAL D=24 RUBBER+NET
193	CE1130A	CABLE 5X1,5MMQ H07RN-F L=1,5M
194	TR1136A	SAFETY THERMOSTAT UNIP. 330°C